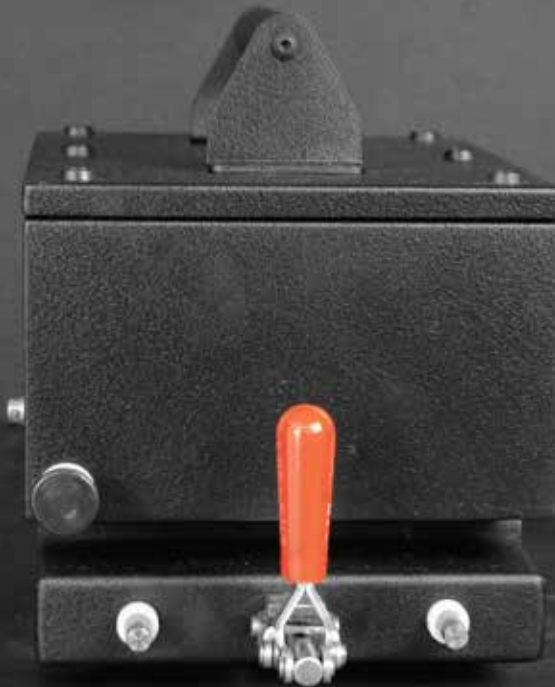
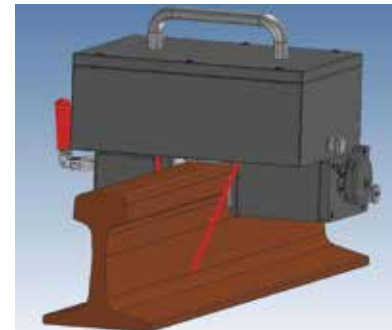
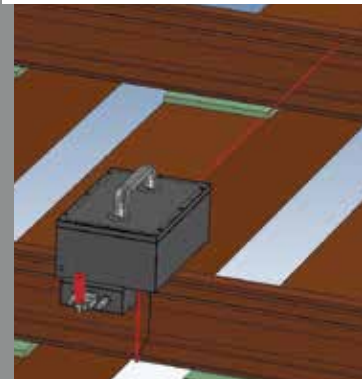


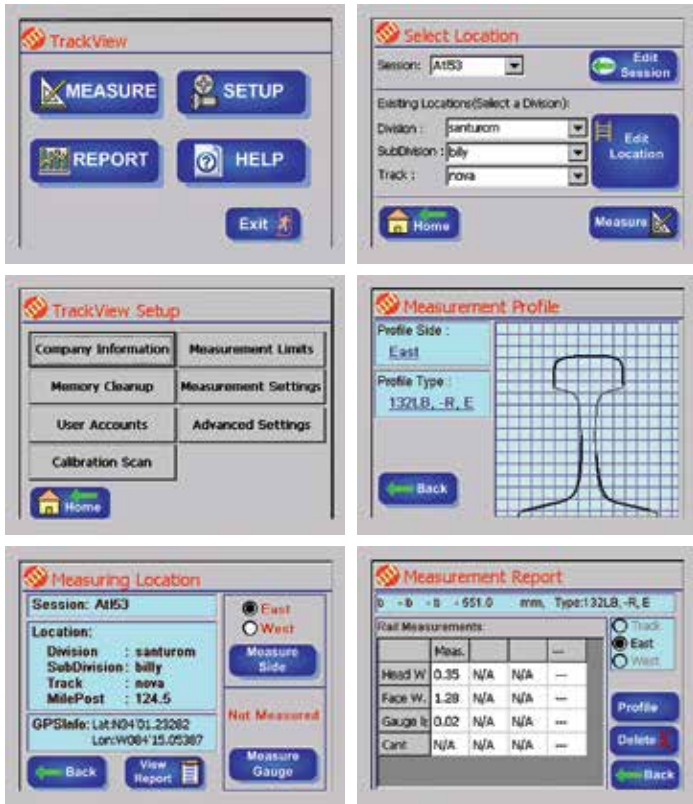
Handheld Laser Rail Profile
and Track Measurement System



TrackView is a non-contact rail profile and track parameter measurement system. The system can automatically scan the rail for its profile and compare it to the reference rail profile. It also deploys a laser range finder to compute the track gauge, cross level and rail cant.

The user positions the TrackView Scanner system on the rail and the locking mechanism is used to lock the unit to the rail. Laser scans the rail to get the profile and compute its parameters. The system at the same time computes the rail cant, track gauge and cross level using another laser unit installed on the system.



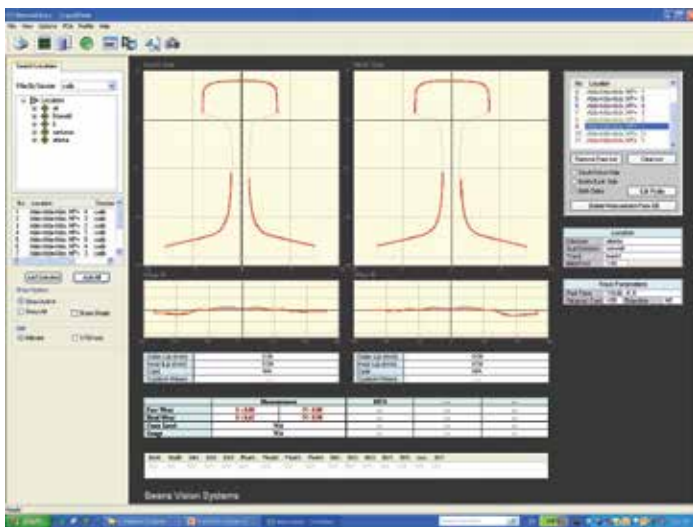


Measurements

- Rail Profile
- Rail Cant
- Head and Side Wear
- Wear Graph
- Gauge and Cross Level

Features

- All Non-Contact Laser Based Technology
- Accurate, Repeatable Profiles
- Profile Resolution: 0.05 mm (0.002 inch)
- GPS Position Measurement
- PDA-Based, Easy Setup
- One Man Operation
- Fast, Easy Track Measurement
- No Gauge Bar
- Battery Operated
- Complete PC Display and Data Analysis Software
- PC database



The user holds the system PDA to control the scanner functions. The scanner profile measurement is automatic, but the gauge and cross level laser must be adjusted manually per measurement point.

TrackView is a rugged, PDA-based, portable unit that can measure numerous spots with a single PDA charge. A complete software package is provided with TrackView with a GPS option for track position recording.